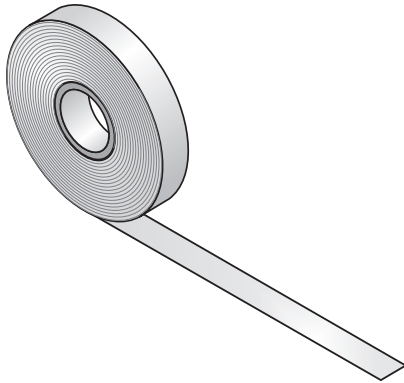


# Tapes

---

## Self-Adhesive Fastening Tape



### Applications

Fastening of heating cable to high temperature pipes.  
Compatible with all heating cable types.

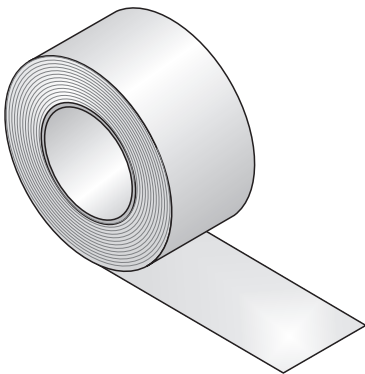
### Technical Data

Length	33 m
Width	11 mm
Permanent exposure temperature	200 °C
Recommended installation temperature	Not lower than -15 °C
Adhesive material	Modified silicone

### Types

Name	Order code
Fastening tape FT/HTM	7090100000

## Self-Adhesive Aluminum Fastening Tape



### Applications

Fastening of heating cable onto flat surfaces, e.g. tanks, or onto a valve / pump body, padding of heating cables laid onto plastic pipes.

### Technical Data

Length	50 m
Width	50 mm
Permanent exposure temperature	110 °C
Recommended installation temperature	Not lower than -5 °C
Adhesive material	Acryl

### Types

Name	Order code
Self-adhesive aluminum fastening tape	7090100001

## Fastening Tape



### Applications

Fastening of cable to a tank.

The fastening tape is fastened onto a tank using KP101 brackets or PFS straps.

Coil length upon request.

### Types

Name	Order code
Fastening tape 25, where 25 is the fastening spacing in mm.	7090100051

### Approvals

This product is exempt from mandatory certification.